

# VOLVO PENTA INBOARD DIESEL

# D2-55

41 kW (55 hp) crankshaft power acc. to ISO 8665



## New generation D2 for enhanced yacht comfort

The new generation Volvo Penta D2 series is designed to meet the most stringent environmental legislation – US EPA Tier 3. Further reduced sound level and low cruising rpm gives quiet running and low vibrations. The 115A alternator with a built-in charging sensor provides rapid charging for onboard electrical needs.



D2-55 with S-drive 130S



The base engine is developed for industrial applications and maritized for the highest marine demands. This guarantees a reliable engine with a long service life.

### Comfort

Smooth running with very low vibration levels is achieved through a dynamically balanced design incorporating a flywheel of high rotating mass and high efficiency rubber isolation.

The new engine with re-designed combustion chambers and lower engine speed – 2700–3000 rpm – together with the new inlet air silencer gives the highest comfort on board. The noise is further reduced by up to 3 dBA from an already low level.

The engine's high torque provides excellent operating characteristics to aid maneuvering, particularly in confined spaces.

The engine has EVC instrumentation and NMEA interface for presenting engine data on chart plotters.

### Environment

The new generation D2 meets the

world's most stringent emission legislation – US EPA Tier 3. The particulate emissions are now reduced by 25%.

The D2-55 is certified according to BSO, EU RCD and US EPA Tier 3.

### Service Life

The D2-55 is fitted with freshwater cooling as standard. This reduces internal corrosion and enables the engine to maintain a consistent and optimal working temperature under all conditions.

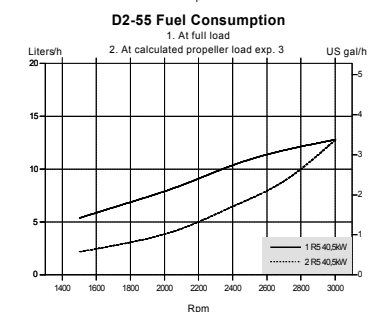
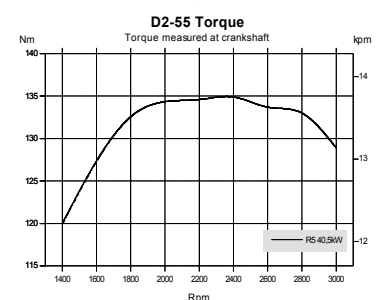
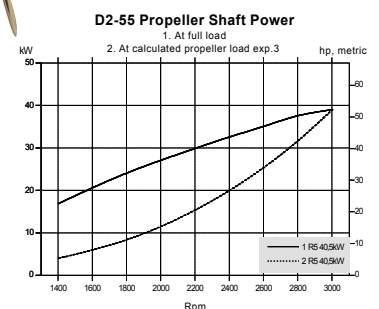
To avoid galvanic corrosion the engine is equipped with a unique electrical isolation between engine and S-drive.

### Charging capacity

The 115A alternator with an electronic sensor makes it possible to use a higher battery capacity and have fully charged batteries on board. Even at idle speed, the alternator gives more than 35A, and at cruising speed it delivers approx. 100A.

### Transmissions

Eight matched transmission options are available, each built for durability and smooth running.



# VOLVO PENTA

# D2-55

## Technical description:

### Engine block and head

- Cylinder block and cylinder head manufactured from high grade cast iron. Crankcase features a rigid tunnel block design.
- Chrome molybdenum forged crankshaft, statically and dynamically balanced with integral counterweights. Pistons are cast from high silicon aluminum, are heat treated and fitted with two cast iron, chromium faced compression rings and a single oil ring.
- Replaceable, hardened valve seats
- Elastic coupling on flywheel

### Engine mounting

- Tuned front and rear cushion-type rubber mounts. Adjustable.

### Lubrication system

- Spin-on fullflow oil filter
- Separate oil scavenger pipe
- Closed circuit crankcase ventilation
- One top and one side oil filling position

### Fuel system

- Flange mounted, cam driven in-line injection pump

- Feed pump with hand primer
- Spin-on type fine fuel filter
- Auxiliary stop button on engine

### Exhaust system

- Freshwater cooled exhaust manifold and seawater cooled exhaust elbow

### Cooling system

- Freshwater cooling system governed by thermostat
- Tubular heat exchanger with integral expansion tank
- Easily accessible sea water pump and impeller

### Electrical system

- 12V corrosion-protected electrical system
- 115A marine alternator
- 24V alternator as option
- Charging regulator with electronic sensor for voltage drop compensation
- Glow plugs for excellent cold starting
- Electric starter motor (2.0 kW output)
- Electrical stop
- Extension cable harness with plug-in connection available in various lengths

### EVC instruments

- Start/stop panel
- Tachometer with alarms and engine hour counter

### Options:

- Separate instruments for:
  - Fuel level
  - Temperature
  - Voltage
- LCD display with multisensor
- NMEA interface presenting engine data on chart plotters

### Choice of transmissions:

- HS25A Hydraulic** – drop center with 8° down angled output shaft. Trolling valve kit available.
  - Ratio 2,29:1/2,29:1 (RH/LH) and 2,71:1/2,71:1 (RH/LH).
- MS25A Mechanical** – drop center with 8° down angled output shaft.
  - Ratio 2.23:1/2.74:1 (RH/LH) and 2.74:1/2.74:1 (RH/LH).
- MS25L Mechanical** – drop center with straight output shaft.
  - Ratio 2.27:1/2.10:1 (RH/LH) and 2.74:1/2.72:1 (RH/LH).
- S-drive 130S and 130SR** for reverse installation of engine. Ratio 2.19:1.

### Accessories

- Electronic shift and throttle
- Engine controls and steering systems
- Extra alternator kits
- Battery and battery switches
- Hot water systems
- Separate expansion tanks
- Cooling water seacocks, strainers and hoses
- Exhaust systems and hull fittings
- Fuel systems including filters, pipes etc.
- Pulleys and universal brackets for power take-off (PTO)
- Propeller shaft systems and propellers
- Chemical products – paints, oils, cleaners etc.

## Technical Data

Engine designation . . . . .	<b>D2-55</b>
Crankshaft power, kW (hp) . . . . .	41 (55)
Propeller shaft power, kW (hp) . . . . .	39 (53)
Engine speed, rpm . . . . .	2700–3000
Displacement, l (in <sup>3</sup> ) . . . . .	2.2 (134.2)
Number of cylinders . . . . .	4
Bore/stroke, mm (in.) . . . . .	84/100 (3.31/3.94)
Compression ratio. . . . .	23.3:1
Dry weight with reverse gear HS25A/MS25, kg (lb) . . . . .	249/243 (549/536)
saildrive 130S/SR, kg (lb) . . . . .	253 (558)

Duty rating: R5

Technical data according to ISO 8665. With fuel having an LHV of 42,700 kJ/kg and density of 840 g/liter at 15°C (60°F). Merchant fuel may differ from this specification which will influence engine power output and fuel consumption. The engine is certified according to BSO, EU RCD and US EPA Tier 3.

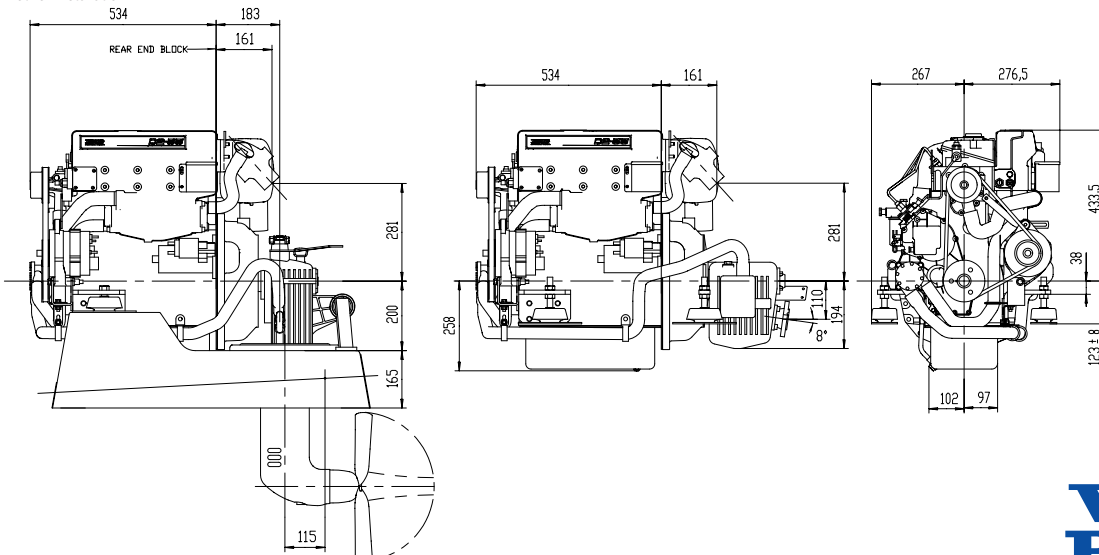
Contact your local Volvo Penta dealer for further information.

Not all models, standard equipment and accessories are available in all countries. All specifications are subject to change without notice.

The engine illustrated may not be entirely identical to production standard engines.

## Dimensions D2-55/MS25A/130S (mm)

Not for installation



**AB Volvo Penta**  
SE-405 08 Göteborg, Sweden  
www.volvopenta.com